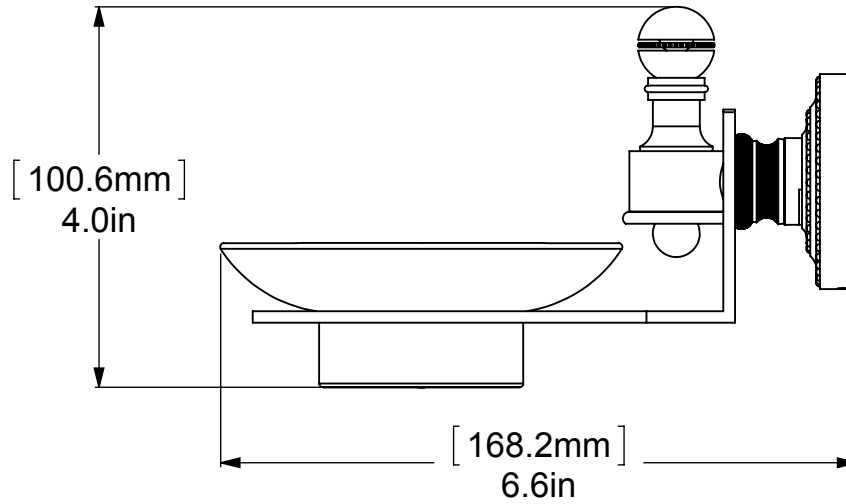
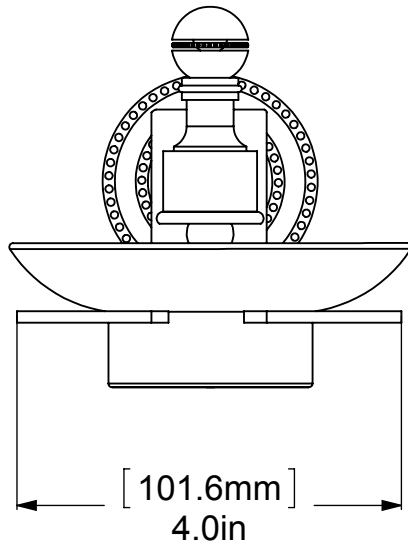
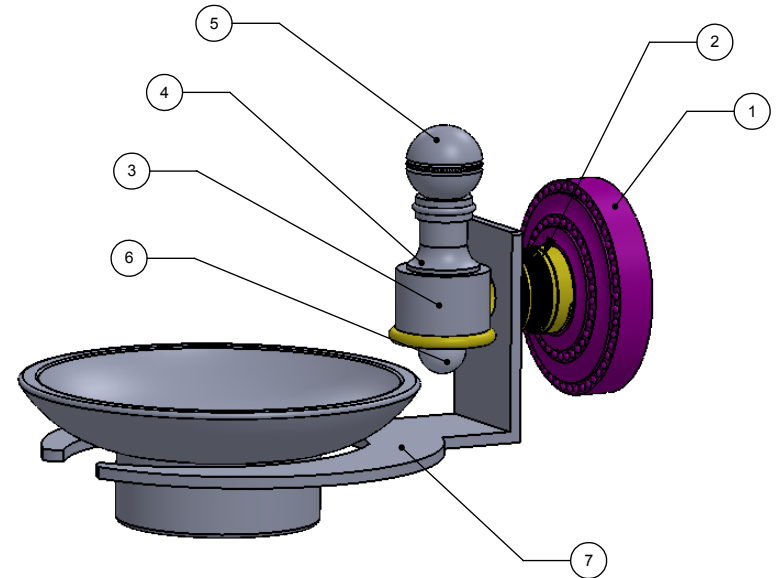


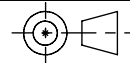
ITEM NO.	P/N	Description	QTY.
1	BPWV	BACKPLATE	1
2	NKSL-58	NECK	1
3	HB1T-1	HUB	1
4	NKSL-78	CONNECTOR	1
5	BLD1T-34	0.75" BALL	1
6	BL1T-12	0.5" BALL	1
7	HDDRS	TUB	1




UNLESS OTHERWISE STATED

.X	$\pm .3\text{mm}$
.XX	$\pm .15\text{mm}$
.XXX	$\pm .008\text{mm}$

COPYRIGHT © Allied Brass 2015



THIRD ANGLE PROJECTION

DRAWN	2-16-2016	I.M	MATERIAL:	BRASS	FINISH	TBD		
CHECKED	2-16-2016	P.D	DESCRIPTION:		QUANTITY	TBD		
APPROVED	2-16-2016	R.A	SOAP DISH		DRAWING No.		REV	
					RD-32		0	
					SCALE	1:1.5	SHEET: 01	A4